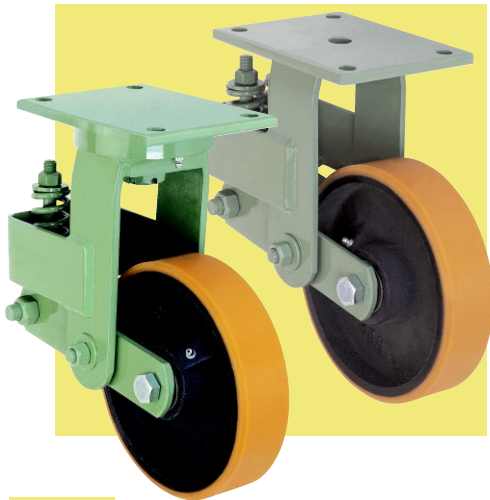
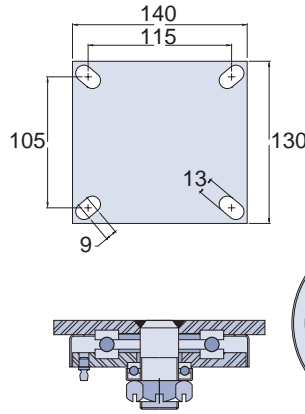


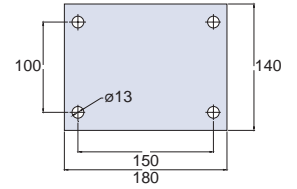
Load capacity up to 700 kg.



Fastening Types



This top plate type is supplied with 6" casters



Top plate fastening for 8" and 10" casters

Wheels

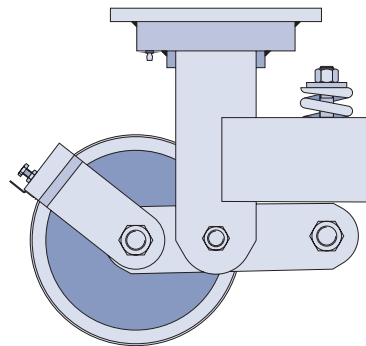


Wheel Rotation Types

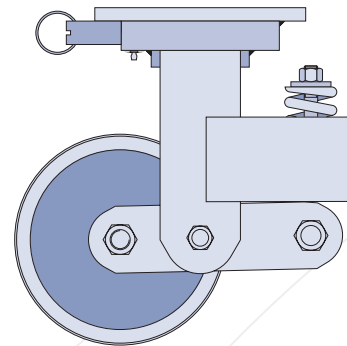


Ball bearing

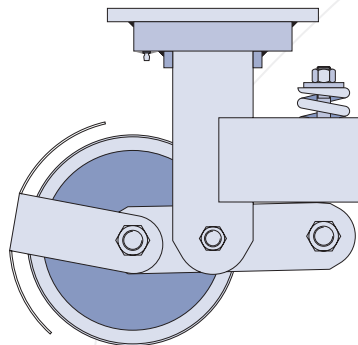
Accessories



FP - Pedal brake



BG - Swivel direction lock




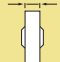

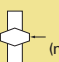





PA - Fender

All dimensions in mm



CMX SERIES – Axial Medium Duty Antishock Spring

SCHIOPPA

			 (mm)	 (mm)	 (mm)	 Kg	Ref. Wheel	Ref. Caster with Top Plate	
									
6"	2"	17	62	220	130	220	R 62 BE	GCMX 62 BE	FCMX 62 BE
						400	R 62 PE	GCMX 62 PE	FCMX 62 PE
						400	R 62 FE	GCMX 62 FE	FCMX 62 FE
						300	R 62 CE	GCMX 62 CE	FCMX 62 CE
						400	R 62 VE	GCMX 62 VE	FCMX 62 VE
8"	2"	20	62	292	180	275	R 82 BE	GCMX 82 BE	FCMX 82 BE
						550	R 82 PE	GCMX 82 PE	FCMX 82 PE
						550	R 82 FE	GCMX 82 FE	FCMX 82 FE
						400	R 82 CE	GCMX 82 CE	FCMX 82 CE
						500	R 82 VE	GCMX 82 VE	FCMX 82 VE
10"	2"	20	62	340	205	375	R 102 BE	GCMX 102 BE	FCMX 102 BE
						700	R 102 PE	GCMX 102 PE	FCMX 102 PE
						700	R 102 FE	GCMX 102 FE	FCMX 102 FE
						600	R 102 VE	GCMX 102 VE	FCMX 102 VE

All dimensions in mm