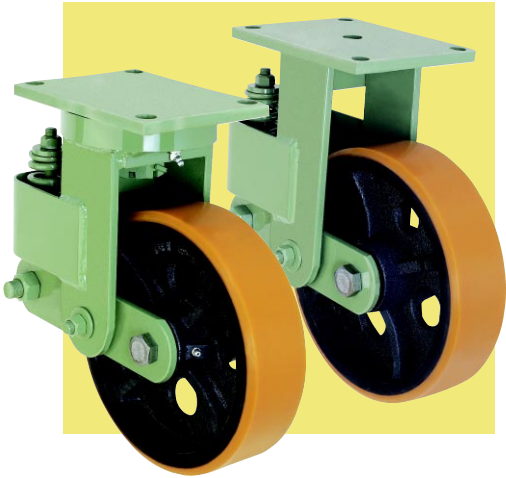
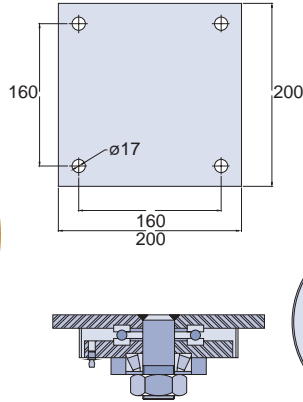


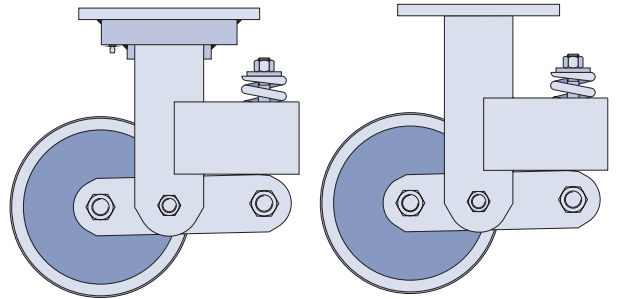
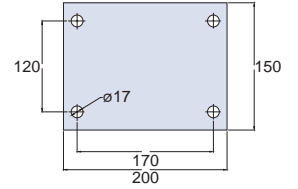
Load capacity up to 1700 kg.



### Fastening Types



This top plate is supplied with caster 124



### Wheels



C - Celeron

P - Polyurethane

B - Rubber

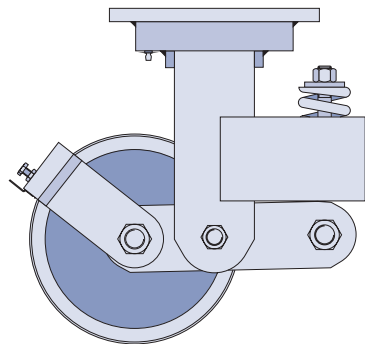
F - Iron

### Wheel Rotation Types

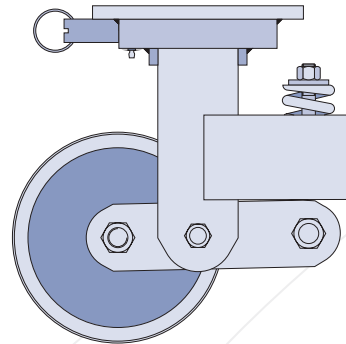


Ball bearing

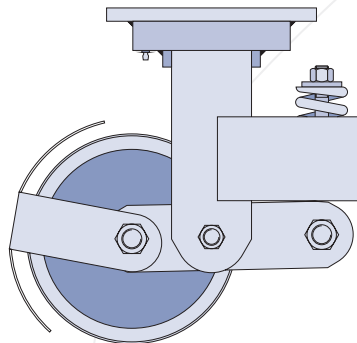
### Accessories



FP - Pedal brake



BG - Swivel direction lock




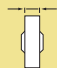

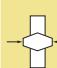





PA - Fender

All dimensions in mm



# CPX SERIES – Axial Heavy Duty Antishock Spring

SCHIOPPA

			 (mm)	 (mm)	 (mm)	 Kg	Ref. Wheel	Ref. Caster with Top Plate	
									
8"	70	25	78	320	180	400	R 83 BE	GCPX 83 BE	FCPX 83 BE
						800	R 83 PE	GCPX 83 PE	FCPX 83 PE
						800	R 83 FE	GCPX 83 FE	FCPX 83 FE
						550	R 83 CE	GCPX 83 CE	FCPX 83 CE
10"	70	25	78	345	205	450	R 103 BE	GCPX 103 BE	FCPX 103 BE
						1000	R 103 PE	GCPX 103 PE	FCPX 103 PE
						1000	R 103 FE	GCPX 103 FE	FCPX 103 FE
						800	R 103 CE	GCPX 103 CE	FCPX 103 CE
12"	70	25	78	393	230	600	R 123 BE	GCPX 123 BE	FCPX 123 BE
						1200	R 123 PE	GCPX 123 PE	FCPX 123 PE
						1200	R 123 FE	GCPX 123 FE	FCPX 123 FE
						900	R 123 CE	GCPX 123 CE	FCPX 123 CE
12"	100	30	110	390	258	900	R 124 BE	GCPX 124 BE	FCPX 124 BE
						1700	R 124 PE	GCPX 124 PE	FCPX 124 PE
						1700	R 124 FE	GCPX 124 FE	FCPX 124 FE
						1000	R 124 CE	GCPX 124 CE	FCPX 124 CE

All dimensions in mm