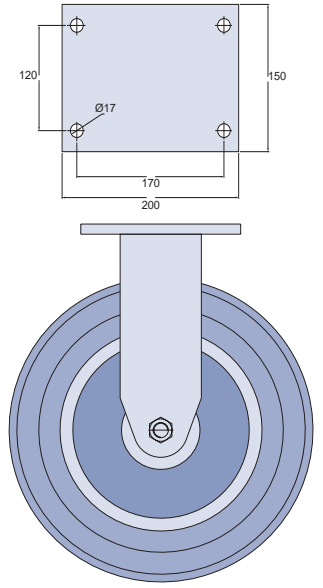
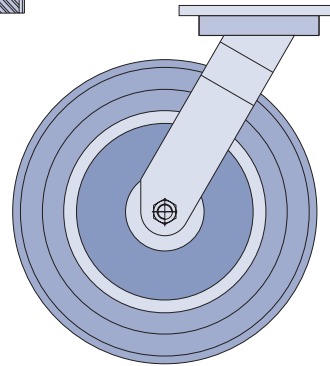
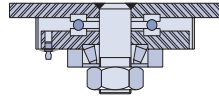


Load capacity up to 300 kg.



Fastening Types



Wheel Rotation Types



Roller bearing



Ball bearing

Wheel Diameter (mm)	Caster Height (mm)	Wheel Diameter (mm)	Plate Width (mm)	Wheel Diameter (mm)	Wheel Diameter (mm)	Weight (Kg)	Ref. Wheel	Ref. Caster with Top Plate	
								Roller bearing	Ball bearing
316	55	1"	74	388	265	170	R 2258 PCR	GPCX 2258 PCR	FPCX 2258 PCR
		25					R 2258 PCE	GPCX 2258 PCE	FPCX 2258 PCE
365	80	1"	74	450	282	200	R 3258 PCR	GPCX 3258 PCR	FPCX 3258 PCR
		25					R 3258 PCE	GPCX 3258 PCE	FPCX 3258 PCE
380	96	1"	74	450	290	220	R 3508 PCR	GPCX 3508 PCR	FPCX 3508 PCR
		25					R 3508 PCE	GPCX 3508 PCE	FPCX 3508 PCE
400	105	1"	110	480	300	300	R 4008 PCR	GPCX 4008 PCR	FPCX 4008 PCR
		25					R 4008 PCE	GPCX 4008 PCE	FPCX 4008 PCE



All dimensions in mm