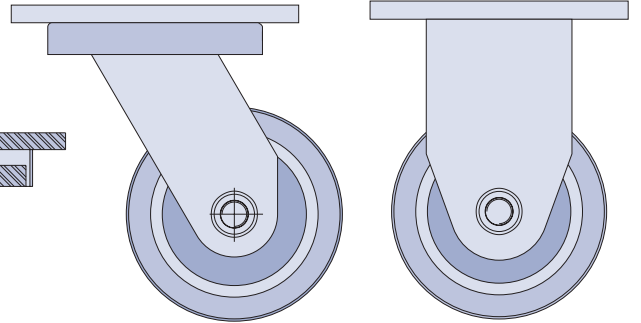
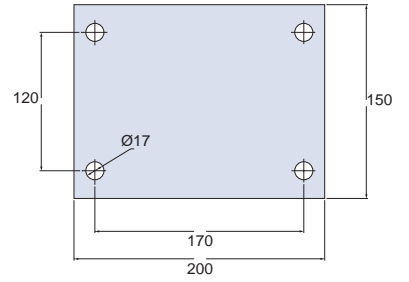
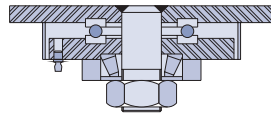


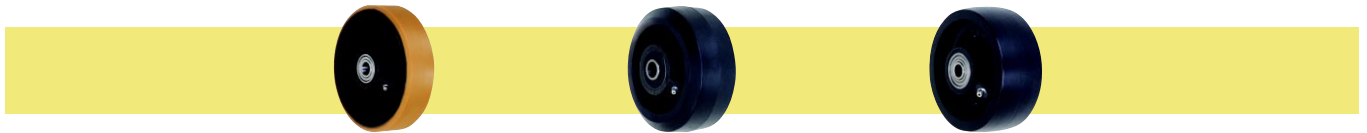
Load capacity up to 2800 kg.



Fastening Types



Wheels



P - Polyurethane

B - Rubber

F - Iron

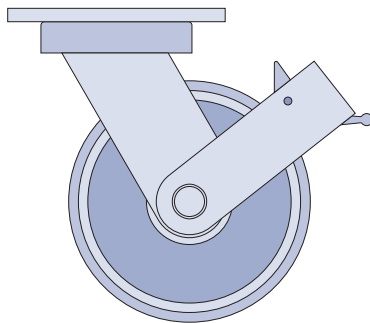
Wheel Rotation Types



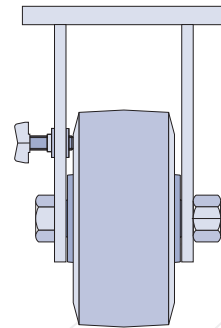
Roller bearing

Ball bearing

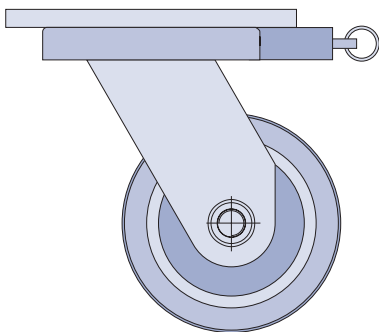
Accessories



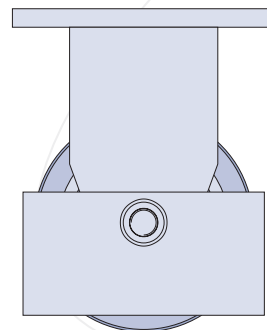
FP - Pedal brake



FL - Side brake



BG - Swivel direction lock












GC - Thread guard



All dimensions in mm

PEX SERIES – Axial Extra Heavy Duty

SCHIOPPA

			 (mm)	 (mm)	 (mm)		Ref. Wheel	Ref. Caster with Top Plate	
									
6"	100	1"	110	230	132	450	R 64 BR	GPEX 64 BR	FPEX 64 BR
						800	R 64 PR	GPEX 64 PR	FPEX 64 PR
						800	R 64 FR	GPEX 64 FR	FPEX 64 FR
8"	100	1"	110	275	169	600	R 84 BR	GPEX 84 BR	FPEX 84 BR
						1000	R 84 PR	GPEX 84 PR	FPEX 84 PR
						1000	R 84 FR	GPEX 84 FR	FPEX 84 FR

6"	100	25	110	230	132	450	R 64 BE	GPEX 64 BE	FPEX 64 BE
						800	R 64 PE	GPEX 64 PE	FPEX 64 PE
						800	R 64 FE	GPEX 64 FE	FPEX 64 FE
8"	100	25	110	275	169	600	R 84 BE	GPEX 84 BE	FPEX 84 BE
						1000	R 84 PE	GPEX 84 PE	FPEX 84 PE
						1000	R 84 FE	GPEX 84 FE	FPEX 84 FE
10"	100	25	110	325	208	800	R 104 BE	GPEX 104 BE	FPEX 104 BE
						1400	R 104 PE	GPEX 104 PE	FPEX 104 PE
						1400	R 104 FE	GPEX 104 FE	FPEX 104 FE
12"	100	30	110	384	253	900	R 124 BE	GPEX 124 BE	FPEX 124 BE
						1700	R 124 PE	GPEX 124 PE	FPEX 124 PE
						1700	R 124 FE	GPEX 124 FE	FPEX 124 FE
16"	125	35	134	485	305	1400	R 165 BE	GPEX 165 BE	FPEX 165 BE
						2800	R 165 PE	GPEX 165 PE	FPEX 165 PE

All dimensions in mm